

## Attic Ladders

**Your stairway to more space,  
with our attic ladders.**

*100% Australian made*

### **‘The Falcon’ Folding Attic Ladder**

A cost-effective and practical option for ceiling heights up to 2.8m. Available in two standard models, these aluminium folding attic ladders come complete with draft seal, top section handrail, white laminate hatch, slim in-built architrave in white, and 3-year warranty, among many other features.

\*Ask us about our custom sizes and powdercoat options.



finished product

*no painting required!*

### **‘The Statesman’ Sliding Attic Ladder**

Cleverly designed with safety and simplicity in mind, this sliding attic ladder is perfect for regular use and/or tall ceilings up to 3.73m. With top & middle section handrail, a platform halfway up the ladder, draft seal and 3-year warranty, the Statesman Sliding ladder is available in six standard models in a range of ceiling heights and widths.

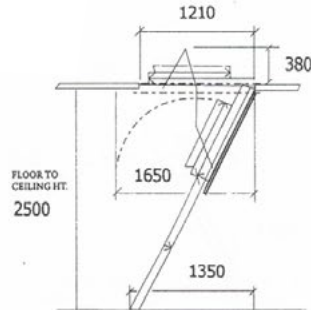
See reverse for specs.

# Aluminium Disappearing Ceiling Ladders

## The Falcon

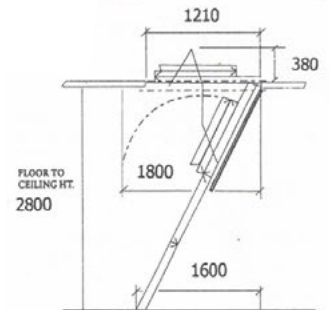
### Model FA-1 (FOLDING)

HEIGHT RANGE: 2500mm Max.  
APPROX. WEIGHT: 25kg  
OVERALL LADDER WIDTH: 350mm  
NOMINAL ANGLE: 65 degrees  
CEILING CUT OUT: 565 x 1210mm



### Model FA-2 (FOLDING)

HEIGHT RANGE: 2800mm Max.  
APPROX. WEIGHT: 27kg  
OVERALL LADDER WIDTH: 350mm  
NOMINAL ANGLE: 65 degrees  
CEILING CUT OUT: 565 x 1210mm

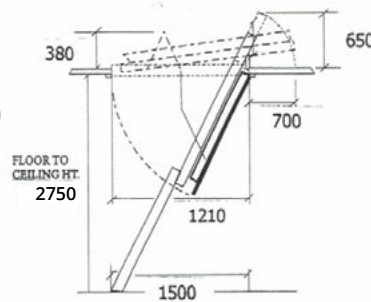


## The Statesman

AVAILABLE IN STANDARD AND WIDE OPTIONS

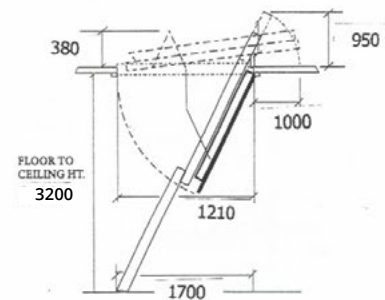
### Model SA-1 (SLIDING)

HEIGHT RANGE: 2750mm Max.  
APPROX. WEIGHT: 25kg  
OVERALL LADDER WIDTH: 350mm/400mm  
NOMINAL ANGLE: 65 degrees  
CEILING CUT OUT: 565 x 1210mm  
CEILING CUT OUT WIDE: 700 x 1210mm  
LADDER OVERHANG: 700mm



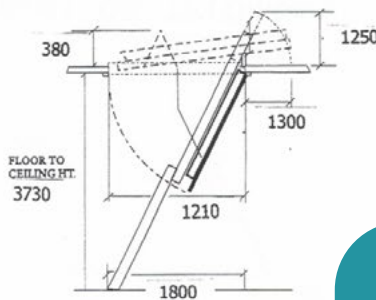
### Model SA-2 (SLIDING)

HEIGHT RANGE: 3200mm Max.  
APPROX. WEIGHT: 27kg  
OVERALL LADDER WIDTH: 350mm/400mm  
NOMINAL ANGLE: 65 degrees  
CEILING CUT OUT: 565 x 1210mm  
CEILING CUT OUT WIDE: 700 x 1210mm  
LADDER OVERHANG: 1000mm



### Model SA-3 (SLIDING)

HEIGHT RANGE: 3730mm Max.  
APPROX. WEIGHT: 30kg  
OVERALL LADDER WIDTH: 350mm/400mm  
NOMINAL ANGLE: 65 degrees  
CEILING CUT OUT: 565 x 1210mm  
CEILING CUT OUT WIDE: 700 x 1210mm  
LADDER OVERHANG: 1300mm



## Technical Information

MATERIAL: Ladder: Aluminium (Mill Finish)  
Panel: 17mm Laminate MDF

ARCHITRAVE: 3mm welded aluminium with White Powder Coating

OPERATION: Ladders attached to panel and operated manually by use of mild steel brackets, safety catches and springs.

LOADING: 150kg

## Visit Our Showroom

5/53 Lawnton Pocket Road  
Lawnton QLD 4501

Showroom Opening Hours  
9:30am to 2:30pm (Mon-Fri)

### Get in Touch

(07) 3889 2240  
sales@accessladders.com.au