

ACCESS LADDERS *Queensland*

REACH NEW HEIGHTS

Mezzanine Access Ladders

Access your mezzanine level with our 'Monaro' Easi-Slide Access Ladders

Queensland made and designed

The Monaro Mezzanine access ladder is a sliding ladder, providing safe access to most mezzanine types.

The ladder has 2 mounting brackets that attach the ladder to your mezzanine level. In the climbing position, the ladder provides a fixed and secure way to access your mezzanine level. When not in use, the ladder is simply slid back up and retracts onto the floor with the aid of guide arms.

The ladder is now neatly stored on the mezzanine floor, out of the way.

Access Ladders Qld are the manufacturers and fabricate them in 2 models up to a maximum height of 3.2m high.

As standard, this ladder is fitted with handrails on both sides to provide an extra level of safety.

See reverse for specs.



THE MONARO

Two Section (Easi-Slide) Mezzanine Access Ladder

available in two models

Model MES-1

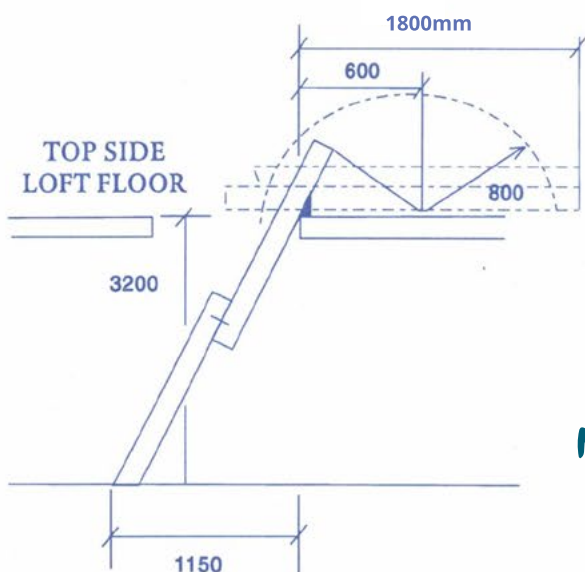
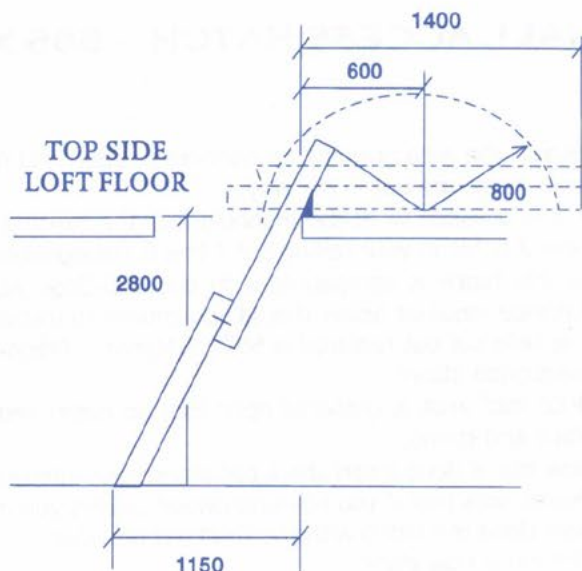
HEIGHT RANGE: 2800mm Max.
 (floor to floor)

APPROX. WEIGHT: 10kg

OVERALL LADDER WIDTH: 375mm

NOMINAL ANGLE: approx. 70 degrees

CLEARANCE DISTANCE: 1400mm



Model MES-2

HEIGHT RANGE: 2801mm – 3200mm Max
 (floor to floor)

APPROX. WEIGHT: 12kg

OVERALL LADDER WIDTH: 375mm

NOMINAL ANGLE: approx. 70 degrees

CLEARANCE DISTANCE: 1800mm

Technical Information

MATERIAL: Aluminium

OPERATION: 2 piece sliding ladder. Operated manually by use of steel rod, safety catches and guide arms.

Visit Our Showroom

5/53 Lawnton Pocket Road
 Lawnton QLD 4501

Showroom Opening Hours
 9:30am to 2:30pm (Mon-Fri)

Get in Touch

(07) 3889 2240

sales@accessladders.com.au