

Attic Ladders

**Your stairway to more space,
with our attic ladders.**

100% Australian made

'The Falcon' Folding Attic Ladder

A cost-effective and practical option for ceiling heights up to 2.8m. Available in two standard models, these aluminium folding attic ladders come complete with draft seal, top section handrail, white laminate hatch, slim in-built architrave in white, and 3-year warranty, among many other features.

*Ask us about our custom sizes and powdercoat options.



finished product

no painting required!

'The Statesman' Sliding Attic Ladder

Cleverly designed with safety and simplicity in mind, this sliding attic ladder is perfect for regular use and/or tall ceilings up to 3.73m. With top & middle section handrail, a platform halfway up the ladder, draft seal and 3-year warranty, the Statesman Sliding ladder is available in six standard models in a range of ceiling heights and widths.

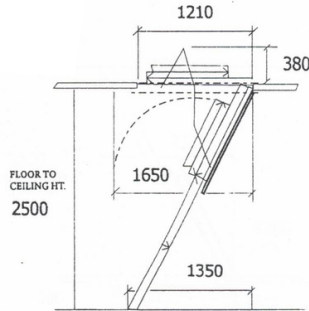
See reverse for specs.

Aluminium Disappearing Ceiling Ladders

The Falcon

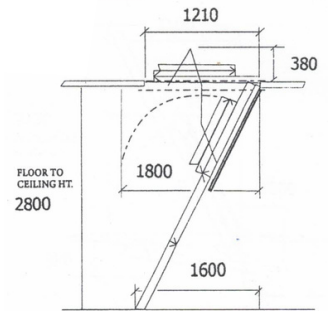
Model FA-1 (FOLDING)

HEIGHT RANGE: 2500mm Max.
APPROX. WEIGHT: 25kg
OVERALL LADDER WIDTH: 350mm
NOMINAL ANGLE: 65 degrees
CEILING CUT OUT: 565 x 1210mm



Model FA-2 (FOLDING)

HEIGHT RANGE: 2800mm Max.
APPROX. WEIGHT: 27kg
OVERALL LADDER WIDTH: 350mm
NOMINAL ANGLE: 65 degrees
CEILING CUT OUT: 565 x 1210mm

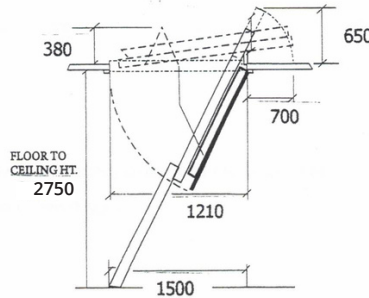


The Statesman

AVAILABLE IN STANDARD AND WIDE OPTIONS

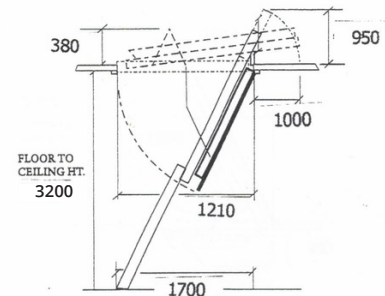
Model SA-1 (SLIDING)

HEIGHT RANGE: 2750mm Max.
APPROX. WEIGHT: 25kg
OVERALL LADDER WIDTH: 350mm/400mm
NOMINAL ANGLE: 65 degrees
CEILING CUT OUT: 565 x 1210mm
CEILING CUT OUT WIDE: 700 x 1210mm
LADDER OVERHANG: 700mm



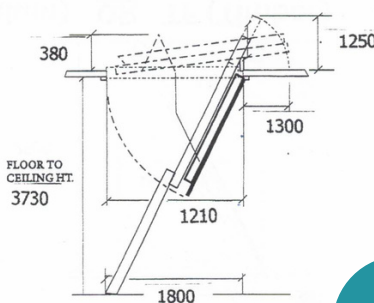
Model SA-2 (SLIDING)

HEIGHT RANGE: 3200mm Max.
APPROX. WEIGHT: 27kg
OVERALL LADDER WIDTH: 350mm/400mm
NOMINAL ANGLE: 65 degrees
CEILING CUT OUT: 565 x 1210mm
CEILING CUT OUT WIDE: 700 x 1210mm
LADDER OVERHANG: 1000mm



Model SA-3 (SLIDING)

HEIGHT RANGE: 3730mm Max.
APPROX. WEIGHT: 30kg
OVERALL LADDER WIDTH: 350mm/400mm
NOMINAL ANGLE: 65 degrees
CEILING CUT OUT: 565 x 1210mm
CEILING CUT OUT WIDE: 700 x 1210mm
LADDER OVERHANG: 1300mm



Technical Information

MATERIAL: Ladder: Aluminium (Mill Finish)
Panel: 17mm Laminate MDF

ARCHITRAVE: 3mm welded aluminium with White Powder Coating

OPERATION: Ladders attached to panel and operated manually by use of mild steel brackets, safety catches and springs.

LOADING: 150kg

WARRANTY: 3 Years

Visit Our Showroom

5/53 Lawnton Pocket Road
Lawnton QLD 4501

Showroom Opening Hours
9:30am to 2:30pm (Mon-Fri)

Get in Touch
(07) 3889 2240

sales@accessladders.com.au